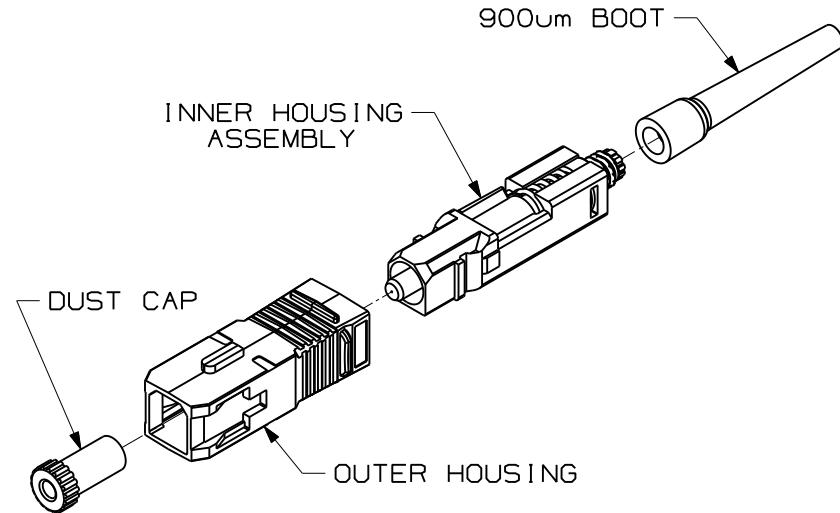


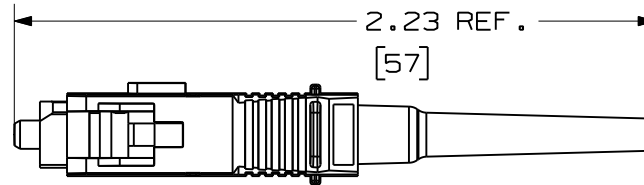
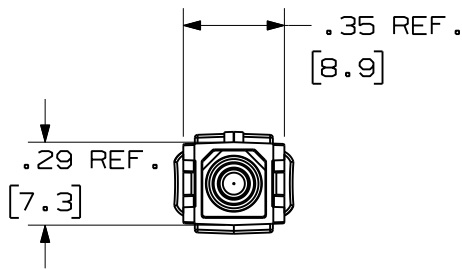
THIS COPY IS PROVIDED ON A RESTRICTED BASIS AND IS NOT TO BE USED IN ANY WAY DETRIMENTAL TO THE INTERESTS OF PANDUIT CORP.


NOTES:

1. SEE CURRENT CATALOG FOR ADDITIONAL COMPONENTS INCLUDING TOOLKITS AND 1.6/2.0mm AND 3mm BOOT UPGRADES.
2. CONNECTORS ACCEPT 50/125 OR 62.5/125 900µm BUFFERED GLASS OPTICAL FIBER.
3. MATERIAL:  
 OUTER HOUSING: PLASTIC  
 BOOTS: THERMOPLASTIC RUBBER  
 FERRULE: POLYMER  
 HARDWARE: BRASS
4. FULLY COMPLIES WITH THE FIBER OPTIC CONNECTOR PERFORMANCE REQUIREMENTS AS SPECIFIED BY TIA/EIA-568-B.3.
5. COMPATIBLE WITH TIA-EIA-604-3 (FOCIS-3)
6. ALL MATERIALS AND COMPONENTS USED MUST MEET THE MATERIAL RESTRICTIONS OF RoHS, (EUROPEAN DIRECTIVE 2002/95/EC ON THE RESTRICTION OF HAZARDOUS SUBSTANCES) AS PROPOSED BY THE RoHS TECHNICAL ADAPTATION COMMITTEE.
7. DIMENSIONS IN BRACKETS ARE METRIC [mm]



PANDUIT PART NUMBER	APPLICATION	PACKAGE QUANTITY
NKFSCMPC6E1	62.5/125 OM1	1 PER BAG 10 PER BOX
NKFSCMPC5BL	50/125 OM2	
NKFSCMPC6E1-C	62.5/125 OM1	100 PER BAG
NKFSCMPC5BL-C	50/125 OM2	



										NETKEY OPTICAM SC CONNECTOR CUSTOMER DRAWING	
										 <b>PANDUIT</b> ™ CORP. TINLEY PARK, ILL 60477	
										ALL DIMENSIONS ARE GIVEN IN INCHES UNLESS OTHERWISE SPECIFIED. DIMENSIONAL TOLERANCES ARE: (.X) ±.03   (.XXX) ±.010   (.3) ±.010   (.8) ±.010   (1.0) ±.010   (1.5) ±.010   (2.0) ±.010   (3.0) ±.010   (4.0) ±.010   (5.0) ±.010   (6.0) ±.010   (8.0) ±.010   (10.0) ±.010   (12.0) ±.010   (15.0) ±.010   (20.0) ±.010   (25.0) ±.010   (30.0) ±.010   (40.0) ±.010   (50.0) ±.010   (60.0) ±.010   (80.0) ±.010   (100.0) ±.010   (120.0) ±.010   (150.0) ±.010   (200.0) ±.010   (250.0) ±.010   (300.0) ±.010   (400.0) ±.010   (500.0) ±.010   (600.0) ±.010   (800.0) ±.010   (1000.0) ±.010   (1200.0) ±.010   (1500.0) ±.010   (2000.0) ±.010   (2500.0) ±.010   (3000.0) ±.010   (4000.0) ±.010   (5000.0) ±.010   (6000.0) ±.010   (8000.0) ±.010   (10000.0) ±.010   (12000.0) ±.010   (15000.0) ±.010   (20000.0) ±.010   (25000.0) ±.010   (30000.0) ±.010   (40000.0) ±.010   (50000.0) ±.010   (60000.0) ±.010   (80000.0) ±.010   (100000.0) ±.010   (120000.0) ±.010   (150000.0) ±.010   (200000.0) ±.010   (250000.0) ±.010   (300000.0) ±.010   (400000.0) ±.010   (500000.0) ±.010   (600000.0) ±.010   (800000.0) ±.010   (1000000.0) ±.010   (1200000.0) ±.010   (1500000.0) ±.010   (2000000.0) ±.010   (2500000.0) ±.010   (3000000.0) ±.010   (4000000.0) ±.010   (5000000.0) ±.010   (6000000.0) ±.010   (8000000.0) ±.010   (10000000.0) ±.010   (12000000.0) ±.010   (15000000.0) ±.010   (20000000.0) ±.010   (25000000.0) ±.010   (30000000.0) ±.010   (40000000.0) ±.010   (50000000.0) ±.010   (60000000.0) ±.010   (80000000.0) ±.010   (100000000.0) ±.010   (120000000.0) ±.010   (150000000.0) ±.010   (200000000.0) ±.010   (250000000.0) ±.010   (300000000.0) ±.010   (400000000.0) ±.010   (500000000.0) ±.010   (600000000.0) ±.010   (800000000.0) ±.010   (1000000000.0) ±.010   (1200000000.0) ±.010   (1500000000.0) ±.010   (2000000000.0) ±.010   (2500000000.0) ±.010   (3000000000.0) ±.010   (4000000000.0) ±.010   (5000000000.0) ±.010   (6000000000.0) ±.010   (8000000000.0) ±.010   (10000000000.0) ±.010   (12000000000.0) ±.010   (15000000000.0) ±.010   (20000000000.0) ±.010   (25000000000.0) ±.010   (30000000000.0) ±.010   (40000000000.0) ±.010   (50000000000.0) ±.010   (60000000000.0) ±.010   (80000000000.0) ±.010   (100000000000.0) ±.010   (120000000000.0) ±.010   (150000000000.0) ±.010   (200000000000.0) ±.010   (250000000000.0) ±.010   (300000000000.0) ±.010   (400000000000.0) ±.010   (500000000000.0) ±.010   (600000000000.0) ±.010   (800000000000.0) ±.010   (1000000000000.0) ±.010   (1200000000000.0) ±.010   (1500000000000.0) ±.010   (2000000000000.0) ±.010   (2500000000000.0) ±.010   (3000000000000.0) ±.010   (4000000000000.0) ±.010   (5000000000000.0) ±.010   (6000000000000.0) ±.010   (8000000000000.0) ±.010   (10000000000000.0) ±.010   (12000000000000.0) ±.010   (15000000000000.0) ±.010   (20000000000000.0) ±.010   (25000000000000.0) ±.010   (30000000000000.0) ±.010   (40000000000000.0) ±.010   (50000000000000.0) ±.010   (60000000000000.0) ±.010   (80000000000000.0) ±.010   (100000000000000.0) ±.010   (120000000000000.0) ±.010   (150000000000000.0) ±.010   (200000000000000.0) ±.010   (250000000000000.0) ±.010   (300000000000000.0) ±.010   (400000000000000.0) ±.010   (500000000000000.0) ±.010   (600000000000000.0) ±.010   (800000000000000.0) ±.010   (1000000000000000.0) ±.010   (1200000000000000.0) ±.010   (1500000000000000.0) ±.010   (2000000000000000.0) ±.010   (2500000000000000.0) ±.010   (3000000000000000.0) ±.010   (4000000000000000.0) ±.010   (5000000000000000.0) ±.010   (6000000000000000.0) ±.010   (8000000000000000.0) ±.010   (10000000000000000.0) ±.010   (12000000000000000.0) ±.010   (15000000000000000.0) ±.010   (20000000000000000.0) ±.010   (25000000000000000.0) ±.010   (30000000000000000.0) ±.010   (40000000000000000.0) ±.010   (50000000000000000.0) ±.010   (60000000000000000.0) ±.010   (80000000000000000.0) ±.010   (100000000000000000.0) ±.010   (120000000000000000.0) ±.010   (150000000000000000.0) ±.010   (200000000000000000.0) ±.010   (250000000000000000.0) ±.010   (300000000000000000.0) ±.010   (400000000000000000.0) ±.010   (500000000000000000.0) ±.010   (600000000000000000.0) ±.010   (800000000000000000.0) ±.010   (1000000000000000000.0) ±.010   (1200000000000000000.0) ±.010   (1500000000000000000.0) ±.010   (2000000000000000000.0) ±.010   (2500000000000000000.0) ±.010   (3000000000000000000.0) ±.010   (4000000000000000000.0) ±.010   (5000000000000000000.0) ±.010   (6000000000000000000.0) ±.010   (8000000000000000000.0) ±.010   (10000000000000000000.0) ±.010   (12000000000000000000.0) ±.010   (15000000000000000000.0) ±.010   (20000000000000000000.0) ±.010   (25000000000000000000.0) ±.010   (30000000000000000000.0) ±.010   (40000000000000000000.0) ±.010   (50000000000000000000.0) ±.010   (60000000000000000000.0) ±.010   (80000000000000000000.0) ±.010   (100000000000000000000.0) ±.010   (120000000000000000000.0) ±.010   (150000000000000000000.0) ±.010   (200000000000000000000.0) ±.010   (250000000000000000000.0) ±.010   (300000000000000000000.0) ±.010   (400000000000000000000.0) ±.010   (500000000000000000000.0) ±.010   (600000000000000000000.0) ±.010   (800000000000000000000.0) ±.010   (1000000000000000000000.0) ±.010   (1200000000000000000000.0) ±.010   (1500000000000000000000.0) ±.010   (2000000000000000000000.0) ±.010   (2500000000000000000000.0) ±.010   (3000000000000000000000.0) ±.010   (4000000000000000000000.0) ±.010   (5000000000000000000000.0) ±.010   (6000000000000000000000.0) ±.010   (8000000000000000000000.0) ±.010   (10000000000000000000000.0) ±.010   (12000000000000000000000.0) ±.010   (15000000000000000000000.0) ±.010   (20000000000000000000000.0) ±.010   (25000000000000000000000.0) ±.010   (30000000000000000000000.0) ±.010   (40000000000000000000000.0) ±.010   (50000000000000000000000.0) ±.010   (60000000000000000000000.0) ±.010   (80000000000000000000000.0) ±.010   (100000000000000000000000.0) ±.010   (120000000000000000000000.0) ±.010   (150000000000000000000000.0) ±.010   (200000000000000000000000.0) ±.010   (250000000000000000000000.0) ±.010   (300000000000000000000000.0) ±.010   (400000000000000000000000.0) ±.010   (500000000000000000000000.0) ±.010   (600000000000000000000000.0) ±.010   (800000000000000000000000.0) ±.010   (1000000000000000000000000.0) ±.010   (1200000000000000000000000.0) ±.010   (1500000000000000000000000.0) ±.010   (2000000000000000000000000.0) ±.010   (2500000000000000000000000.0) ±.010   (3000000000000000000000000.0) ±.010   (4000000000000000000000000.0) ±.010   (5000000000000000000000000.0) ±.010   (6000000000000000000000000.0) ±.010   (8000000000000000000000000.0) ±.010   (10000000000000000000000000.0) ±.010   (12000000000000000000000000.0) ±.010   (15000000000000000000000000.0) ±.010   (20000000000000000000000000.0) ±.010   (25000000000000000000000000.0) ±.010   (30000000000000000000000000.0) ±.010   (40000000000000000000000000.0) ±.010   (50000000000000000000000000.0) ±.010   (60000000000000000000000000.0) ±.010   (80000000000000000000000000.0) ±.010   (100000000000000000000000000.0) ±.010   (120000000000000000000000000.0) ±.010   (150000000000000000000000000.0) ±.010   (200000000000000000000000000.0) ±.010   (250000000000000000000000000.0) ±.010   (300000000000000000000000000.0) ±.010   (400000000000000000000000000.0) ±.010   (500000000000000000000000000.0) ±.010   (600000000000000000000000000.0) ±.010   (800000000000000000000000000.0) ±.010   (1000000000000000000000000000.0) ±.010   (1200000000000000000000000000.0) ±.010   (1500000000000000000000000000.0) ±.010   (2000000000000000000000000000.0) ±.010   (2500000000000000000000000000.0) ±.010   (3000000000000000000000000000.0) ±.010   (4000000000000000000000000000.0) ±.010   (5000000000000000000000000000.0) ±.010   (6000000000000000000000000000.0) ±.010   (8000000000000000000000000000.0) ±.010   (10000000000000000000000000000.0) ±.010   (12000000000000000000000000000.0) ±.010   (15000000000000000000000000000.0) ±.010   (20000000000000000000000000000.0) ±.010   (25000000000000000000000000000.0) ±.010   (30000000000000000000000000000.0) ±.010   (40000000000000000000000000000.0) ±.010   (50000000000000000000000000000.0) ±.010   (60000000000000000000000000000.0) ±.010   (80000000000000000000000000000.0) ±.010   (100000000000000000000000000000.0) ±.010   (120000000000000000000000000000.0) ±.010   (150000000000000000000000000000.0) ±.010   (200000000000000000000000000000.0) ±.010   (250000000000000000000000000000.0) ±.010   (300000000000000000000000000000.0) ±.010   (400000000000000000000000000000.0) ±.010   (500000000000000000000000000000.0) ±.010   (600000000000000000000000000000.0) ±.010   (800000000000000000000000000000.0) ±.010   (1000000000000000000000000000000.0) ±.010   (1200000000000000000000000000000.0) ±.010   (1500000000000000000000000000000.0) ±.010   (2000000000000000000000000000000.0) ±.010   (2500000000000000000000000000000.0) ±.010   (3000000000000000000000000000000.0) ±.010   (4000000000000000000000000000000.0) ±.010   (5000000000000000000000000000000.0) ±.010   (6000000000000000000000000000000.0) ±.010   (8000000000000000000000000000000.0) ±.010   (10000000000000000000000000000000.0) ±.010   (12000000000000000000000000000000.0) ±.010   (15000000000000000000000000000000.0) ±.010   (20000000000000000000000000000000.0) ±.010   (25000000000000000000000000000000.0) ±.010   (30000000000000000000000000000000.0) ±.010   (40000000000000000000000000000000.0) ±.010   (50000000000000000000000000000000.0) ±.010   (60000000000000000000000000000000.0) ±.010   (80000000000000000000000000000000.0) ±.010   (100000000000000000000000000000000.0) ±.010   (120000000000000000000000000000000.0) ±.010   (150000000000000000000000000000000.0) ±.010   (200000000000000000000000000000000.0) ±.010   (250000000000000000000000000000000.0) ±.010   (300000000000000000000000000000000.0) ±.010   (400000000000000000000000000000000.0) ±.010   (500000000000000000000000000000000.0) ±.010   (600000000000000000000000000000000.0) ±.010   (800000000000000000000000000000000.0) ±.010   (1000000000000000000000000000000000.0) ±.010   (1200000000000000000000000000000000.0) ±.010   (1500000000000000000000000000000000.0) ±.010   (2000000000000000000000000000000000.0) ±.010   (2500000000000000000000000000000000.0) ±.010   (3000000000000000000000000000000000.0) ±.010   (4000000000000000000000000000000000.0) ±.010   (5000000000000000000000000000000000.0) ±.010   (6000000000000000000000000000000000.0) ±.010   (8000000000000000000000000000000000.0) ±.010   (10000000000000000000000000000000000.0) ±.010   (12000000000000000000000000000000000.0) ±.010   (15000000000000000000000000000000000.0) ±.010   (20000000000000000000000000000000000.0) ±.010   (25000000000000000000000000000000000.0) ±.010   (30000000000000000000000000000000000.0) ±.010   (40000000000000000000000000000000000.0) ±.010   (50000000000000000000000000000000000.0) ±.010   (60000000000000000000000000000000000.0) ±.010   (80000000000000000000000000000000000.0) ±.010   (100000000000000000000000000000000000.0) ±.010   (120000000000000000000000000000000000.0) ±.010   (150000000000000000000000000000000000.0) ±.010   (200000000000000000000000000000000000.0) ±.010   (250000000000000000000000000000000000.0) ±.010   (300000000000000000000000000000000000.0) ±.010   (400000000000000000000000000000000000.0) ±.010   (500000000000000000000000000000000000.0) ±.010   (600000000000000000000000000000000000.0) ±.010   (800000000000000000000000000000000000.0) ±.010   (1000000000000000000000000000000000000.0) ±.010   (1200000000000000000000000000000000000.0) ±.010   (1500000000000000000000000000000000000.0) ±.010   (2000000000000000000000000000000000000.0) ±.010   (2500000000000000000000000000000000000.0) ±.010   (3000000000000000000000000000000000000.0) ±.010   (4000000000000000000000000000000000000.0) ±.010   (5000000000000000000000000000000000000.0) ±.010   (6000000000000000000000000000000000000.0) ±.010   (8000000000000000000000000000000000000.0) ±.010   (10000000000000000000000000000000000000.0) ±.010   (12000000000000000000000000000000000000.0) ±.010   (15000000000000000000000000000000000000.0) ±.010   (20000000000000000000000000000000000000.0) ±.010   (25000000000000000000000000000000000000.0) ±.010   (30000000000000000000000000000000000000.0) ±.010   (40000000000000000000000000000000000000.0) ±.010   (50000000000000000000000000000000000000.0) ±.010   (60000000000000000000000000000000000000.0) ±.010   (8	